



PRODUCT
DATA
2-197

STANDARD ELECTRIC TIME CORP. DIVISION OF JOHNSON SERVICE COMPANY
89 LOGAN STREET • SPRINGFIELD, MASSACHUSETTS 01101

ALARM BELLS

4" Single Stroke, A-C and D-C

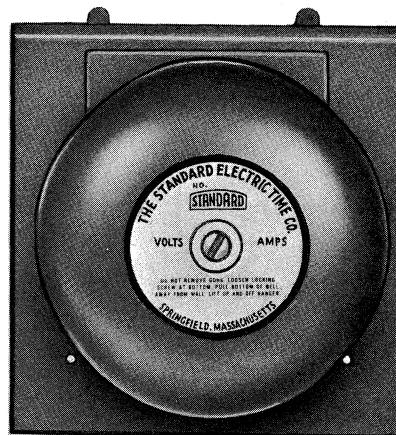
Listed By Underwriters' Laboratories, Inc.

This listing includes compact, 4" alarm bells for installation in march time or coded fire alarm circuits. They are recommended for small to medium size locations such as in an office, lounge or library where high volume sound is not required. The bells are selected from the catalog table for series or parallel circuit application.

CONSTRUCTION - INSTALLATION

The mechanism contains a solenoid, single stroke action. Each assembly is constructed of steel. An adapter back-plate is furnished with each bell. This permits semi-flush installation on a 3-1/4" or 4" octagon outlet box, or 4" square box. A 4" square box is recommended for surface mounting. (Boxes furnished by installing contractor). The catalog listing also includes a flush enclosure and matching grille for recessed installations.

The mechanism and housing includes a plug-in receptacle which press-fits to the back-plate. The housing

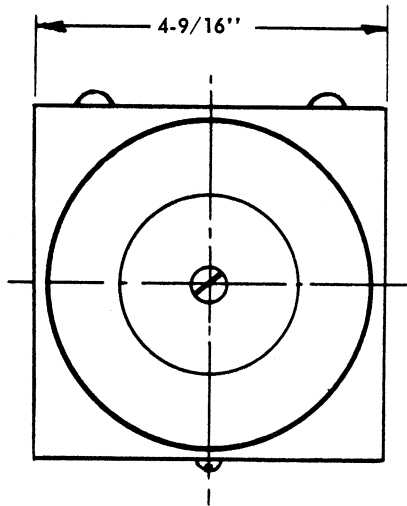


is simultaneously hung on the back-plate tabs and plugged into the receptacle. The bell assembly is secured by a single bottom screw. (See illustration).

The back-plate is cadmium plated. The gong and housing are finished in grey lacquer. Fire alarm red is optional on the gong. Specify on the order. The shipping weight of each bell assembly is approximately 3 lbs.

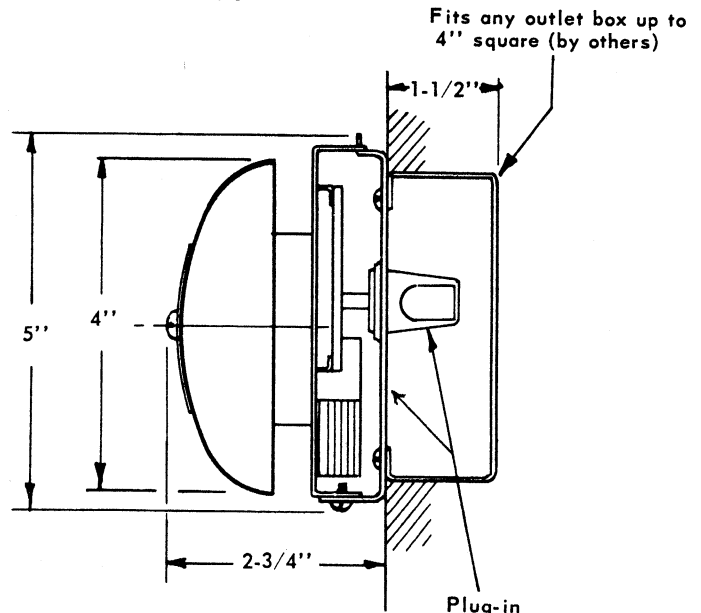
CATALOG TABLE		
CURRENT/VOLTAGE	APPLICATION	CATALOG NO.
2.4 Amp. @ 12V a-c	Series Ckt.	200-413
0.54 Amp. @ 24V a-c	Parallel Ckt.	200-417
0.25 Amp @ 120V a-c	Parallel Ckt.	200-420
3.8 Amp @ 4V d-c	Series Ckt.	200-425
0.35 Amp @ 24V d-c	Parallel Ckt.	200-431
Recessed Enclosure and Grille		
ITEM	DIMENSIONS	CATALOG NO.
Enclosure	9" Square x 5-1/2"D	100-254
Grille	10" Square	100-257

INSTALLATION LAYOUT



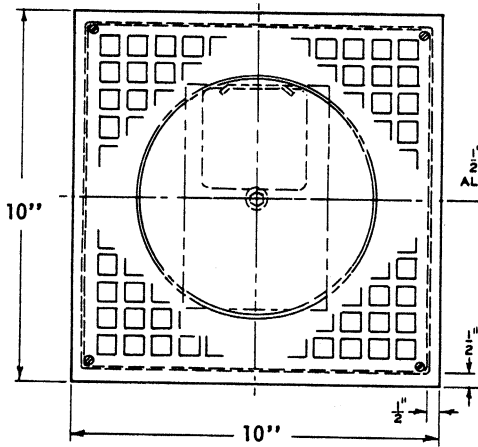
C/L of box and bell

ELEVATION

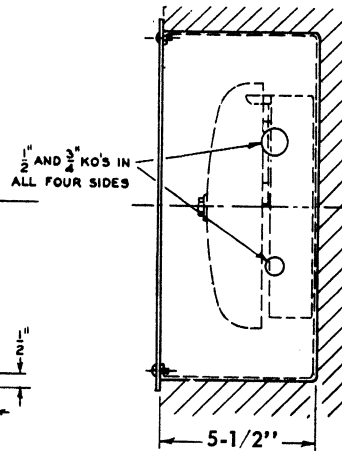


Plug-in Receptacle & Plate

SECTION



GRILLE



FLUSH ENCLOSURE
9" SQUARE